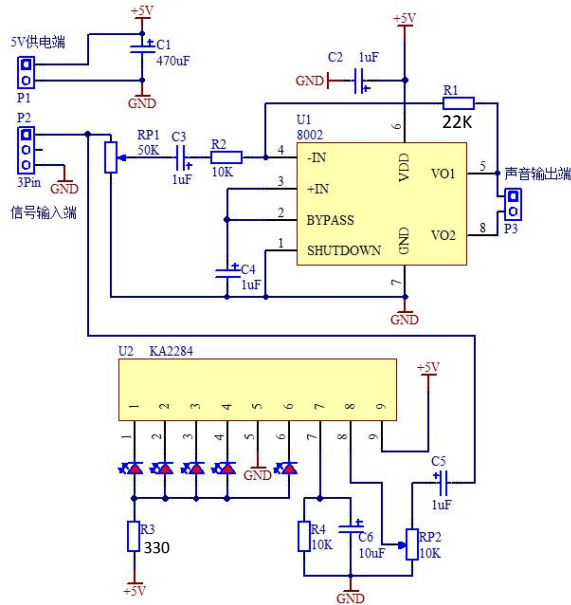


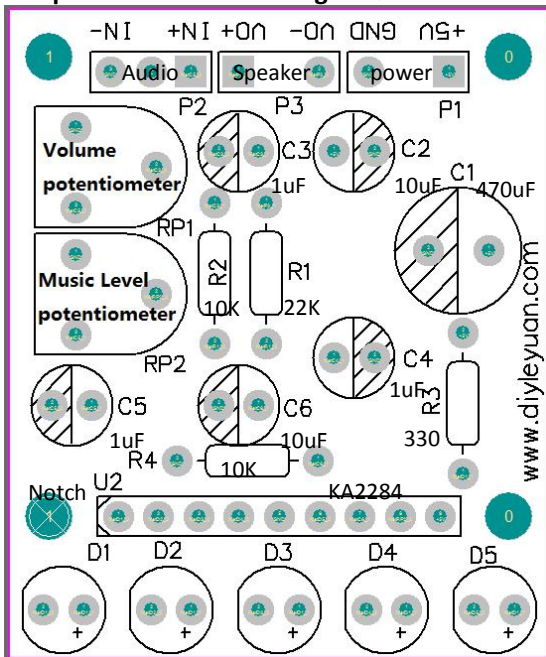
Circuit schematics:



Circuit schematics:

- 1、Weld power amplifier IC first and then install the resistance capacitance and other components. The long pin of the capacitor is positive pole, the short pin is the negative pole, and the negative pole corresponds to the shadow part of the circuit board.
- 2、RP1 is the volume adjustment potentiometer, and adjust the appropriate volume first and then install the shell.
- 3、RP2 is the LED music level display sensitivity adjustment potentiometer, and adjusting it can change the sensitivity of LED.
- 4、Circuit board power supply is made through connecting 5V electricity with USB cable, and cut off the DC plug of the USB cable and directly weld it onto +5V and GND of the circuit board, and at the same time, use a piece of four-core wire to connect the 5V of the circuit board onto +5V and GND of another circuit board. Use three-core wire to connect the audio signal into the circuit board.
- 5、Install shell: tear off the protective film of the shell, and fix the shell with screws.

Component installation diagram:



Wiring diagram:

